

# andrew harris woodwork

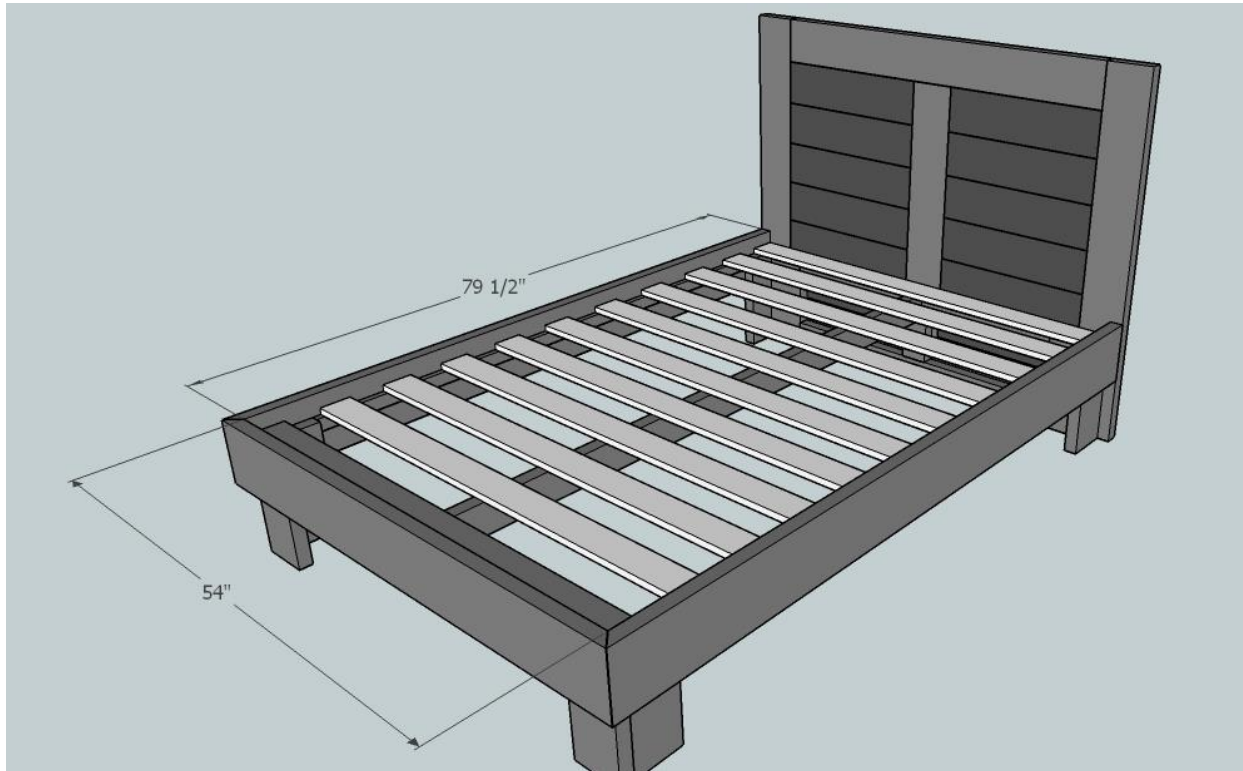
Bed for Full Size Mattress



# andrew harris woodwork

## Introduction

This plan makes a bed for a full size mattress. If your mattress is not 54 inches wide by 79.5 inches long then you might want to adjust the plans to accommodate.



I have tried to ensure all steps are covered in these plans but if you find any errors in the plans or have a question then please email me at [info@andrewharriswoodwork.com](mailto:info@andrewharriswoodwork.com) to let me know.

All my builds are made with pocket hole joinery. You will need a pocket hole jig tool such as a Kreg Pocket Hole Jig in order to build them.

# andrew harris woodwork

## Shopping List

Size	Length	Quantity	Board Number
1 by 2	6 Feet	Quantity 2	1, 2
1 by 4	6 feet	Quantity 11	3 – 13
1 by 6	8 feet	Quantity 3	14, 15, 16
2 by 4	8 feet	Quantity 2	17, 18
2 by 6	8 feet	Quantity 4	19, 20, 21, 22
2 by 8	6 feet	Quantity 1	23
2 by 8	8 feet	Quantity 2	24, 25

You will also need:

- Pocket Hole Tool such as a Kreg Pocket Hole Jig
- 1.25 inch pocket screws
- 2.5 inch pocket screws
- 2.5 inch wood screws
- 1.25 inch wood screw
- Wood glue

**Estimated Material Cost: \$160**

# andrew harris woodwork

## Cut list

Please read all instructions before cutting wood as shown below. I suggest some pieces are cut as you go to ensure a tight fit.

To minimize the number of boards to use plan your cuts I have given details of which board I cut the piece from. If you find a more economical solution then please let me know.

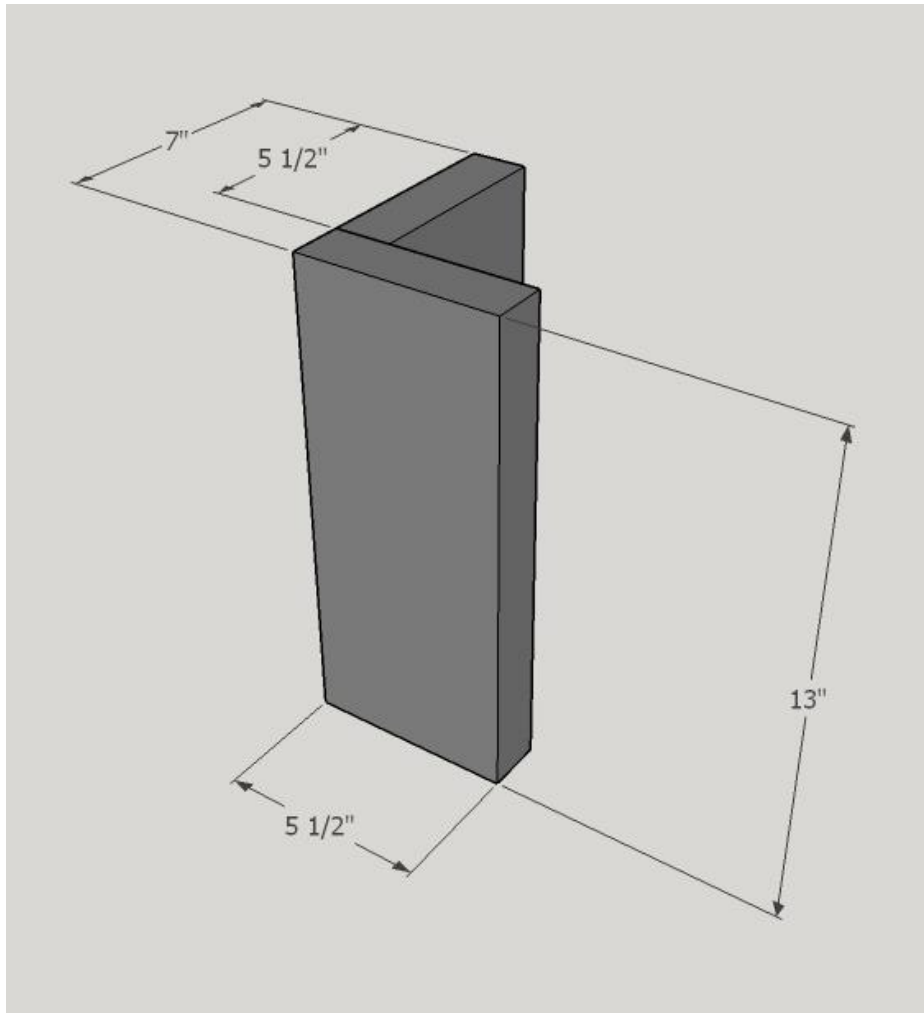
Size	Length (inches)	Quantity	Used For	Board Number
1 by 2	67	2	Side rail slat supports	Boards 1 and 2
1 by 4	54	11	Slats	Boards 3 to 13
1 by 6	20 1/4	12	Headboard Inserts	Boards 14 to 16
2 by 4	40	2	Headboard support	Board 17
2 by 4	6	1	Headboard support	Board 17
2 by 4	77.5	1	Center rail	Board 18
2 by 6	13	8	Legs	3 from board 20, 3 from board 21, 2 from board 22
2 by 6	49.5	2	Headboard Frame	Board 19
2 by 6	38.5	1	Headboard Frame	Board 19
2 by 6	46	2	Headboard Frame	Board 20
2 by 8	57	1	Foot Board	Board 23
2 by 8	81	2	Side rails	Boards 24 and 25

# andrew harris woodwork

## Step 1 – Make the feet

Make the four feet by joining the 13 inch lengths of 2 by 6 together. Use 2.5 inch pocket holes to join them on the inside.

Use glue as well as screws for added strength.



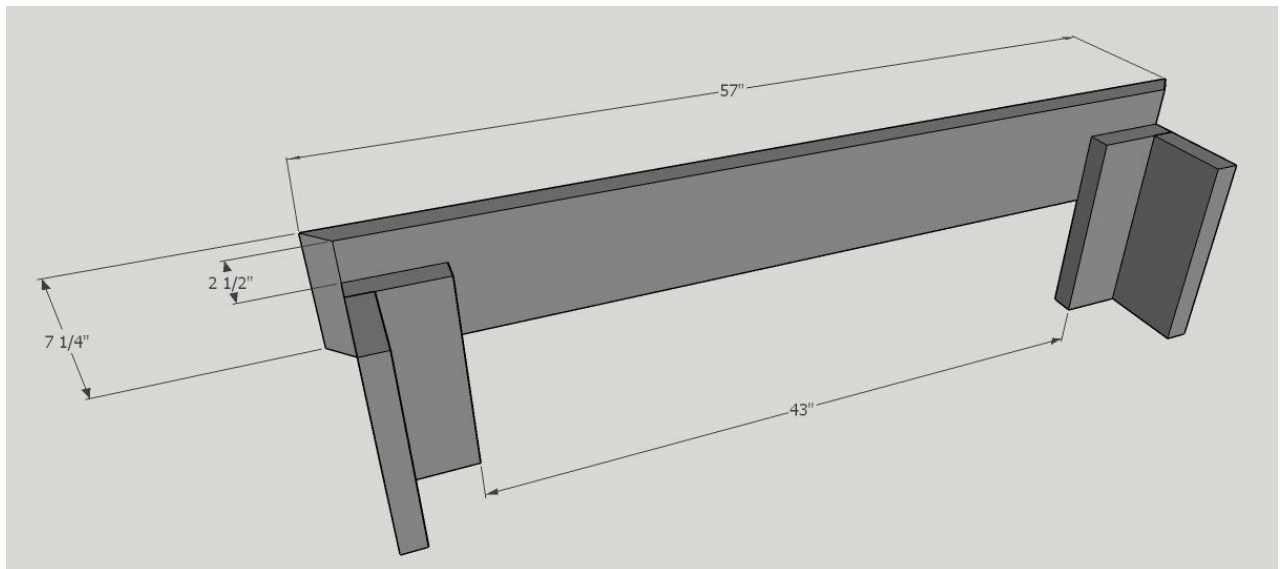
# andrew harris woodwork

## Step 2 – Make the foot board

Attach two of the feet to the foot board as shown. I used four 2.5 inch wood screws to fix each foot to the foot board.

If you don't want to miter the corners that is fine you will just have to adjust the length of the side rails and make those a bit shorter.

Use glue as well as screws for added strength.



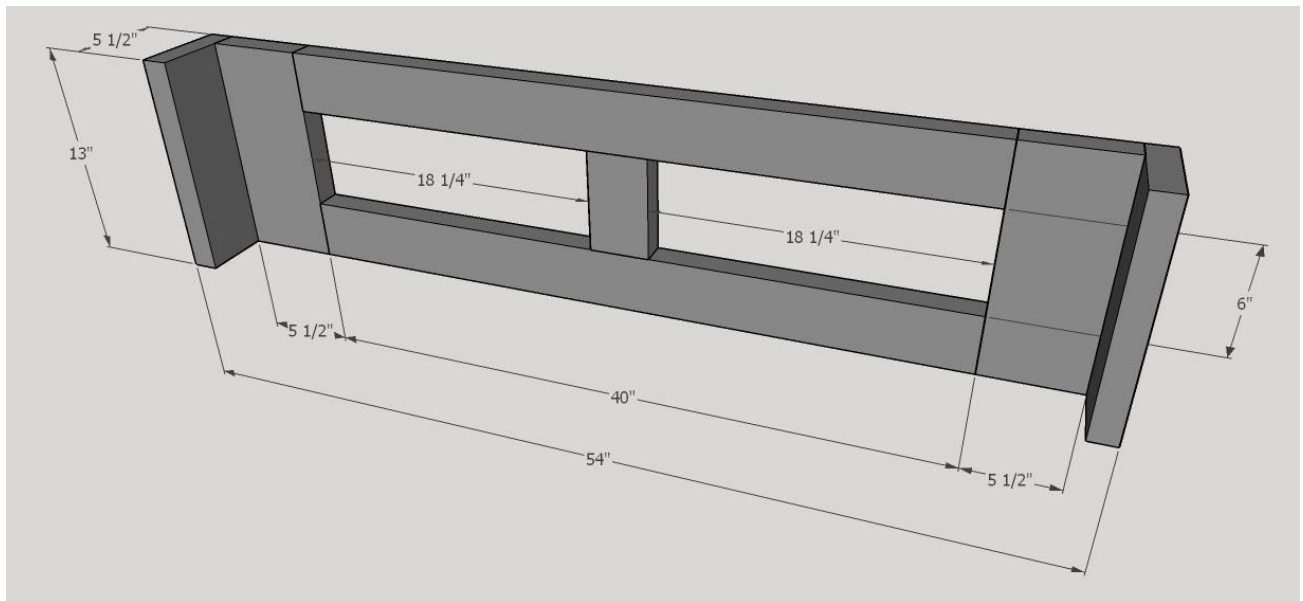
# andrew harris woodwork

## Step 3 – Make the headboard support

Make the headboard support from the other two legs already made and the two 40 inch pieces of 2 by 4 and the 6 inch piece of 2 by 4.

The back of the headboard support will actually be hidden by the head board and so you can place the pocket holes on the rear side so they cannot be seen.

Use glue as well as screws for added strength.

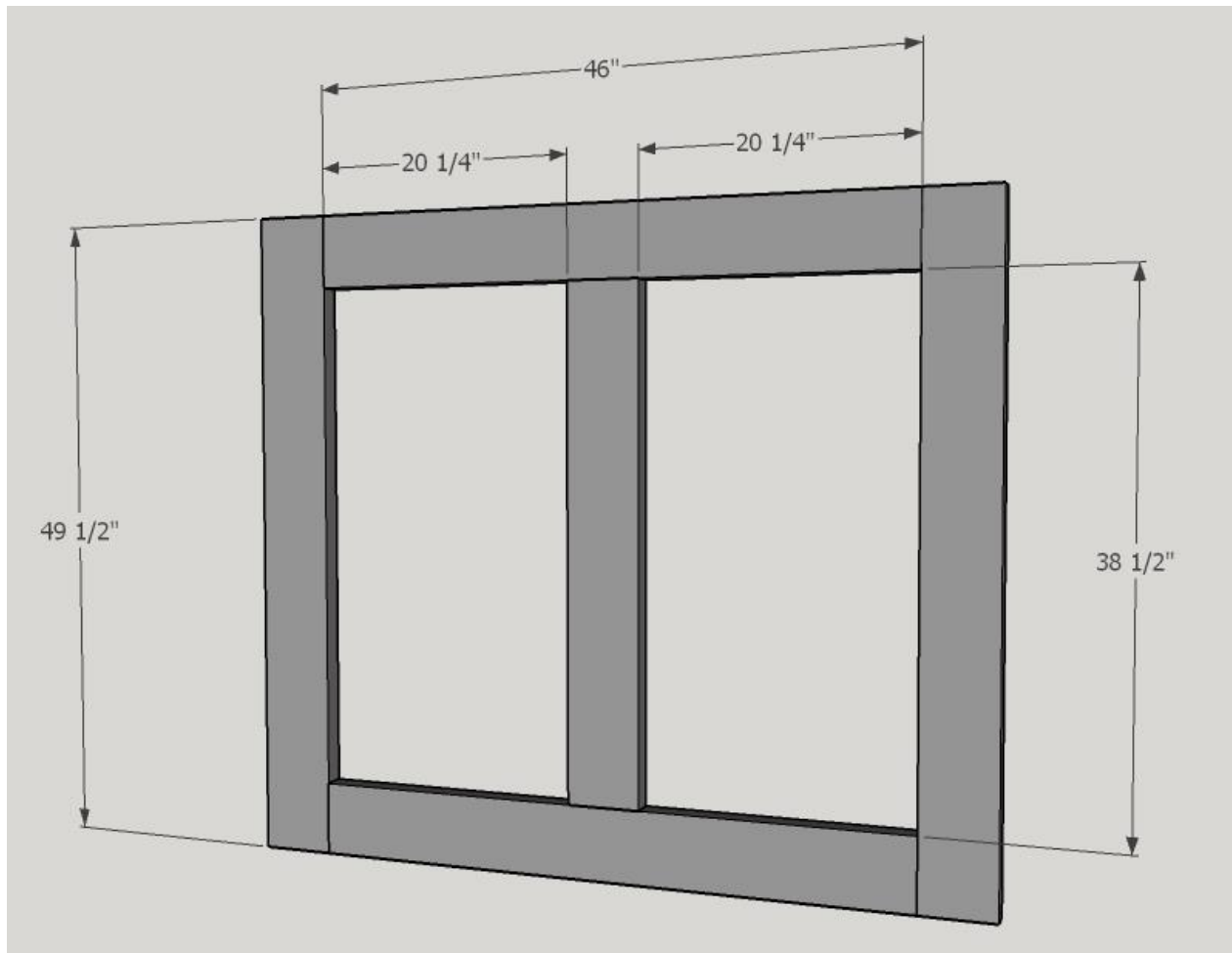


# andrew harris woodwork

## Step 4 – Make the headboard

Make the headboard frame from the two 49.5 inch 2 by 6 pieces, the two 46 inch 2 by 6 pieces and the 38.5 inch 2 by 6 piece.

Place the pocket holes on the rear side.





# andrew harris woodwork

## Step 5 – Add the headboard inserts

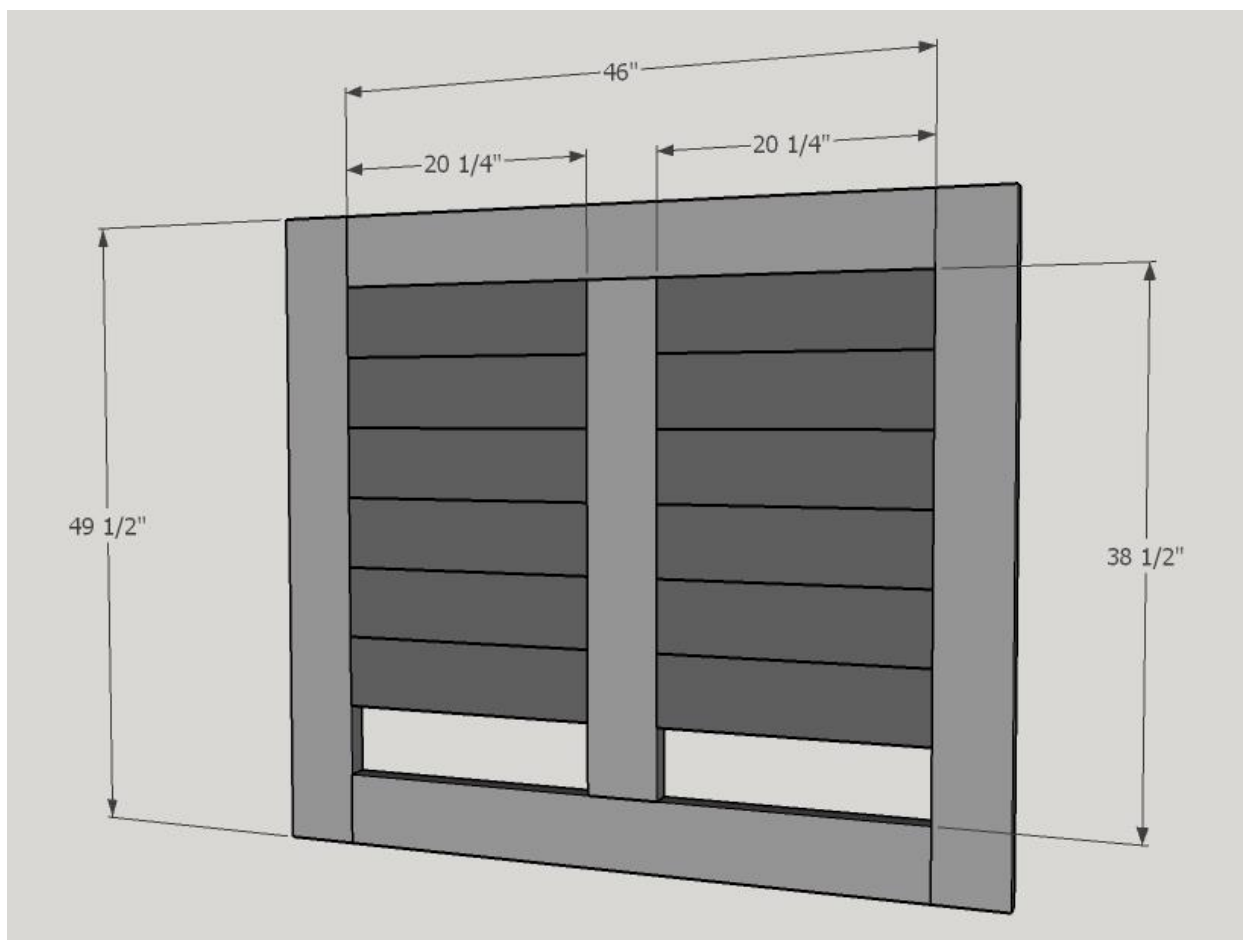
I stained the headboard inserts a different color so I fitted them and joined the actual insert boards together but did not glue. I then removed them so could stain them separately before refitting. If you are doing them the same color then you can leave them fitted.

Before fitting I roughly sanded the edge of each board to that when joined together it gave some detail.

Use the 20.25 inch 1 by 6 boards to make the inserts. I left the bottom one out as it will not be seen anyway and to save some wood and weight.

I made the boards flush on the side that would be showing and so there will be a 0.75 inch recess on the rear side.

Place the pocket holes on the rear side.



# andrew harris woodwork

## Step 6 – Staining/Painting

At this point I stained all the separate pieces of

- Footboard
- Headboard support
- Headboard
- Headboard inserts
- Side Rails
- Centre support rail

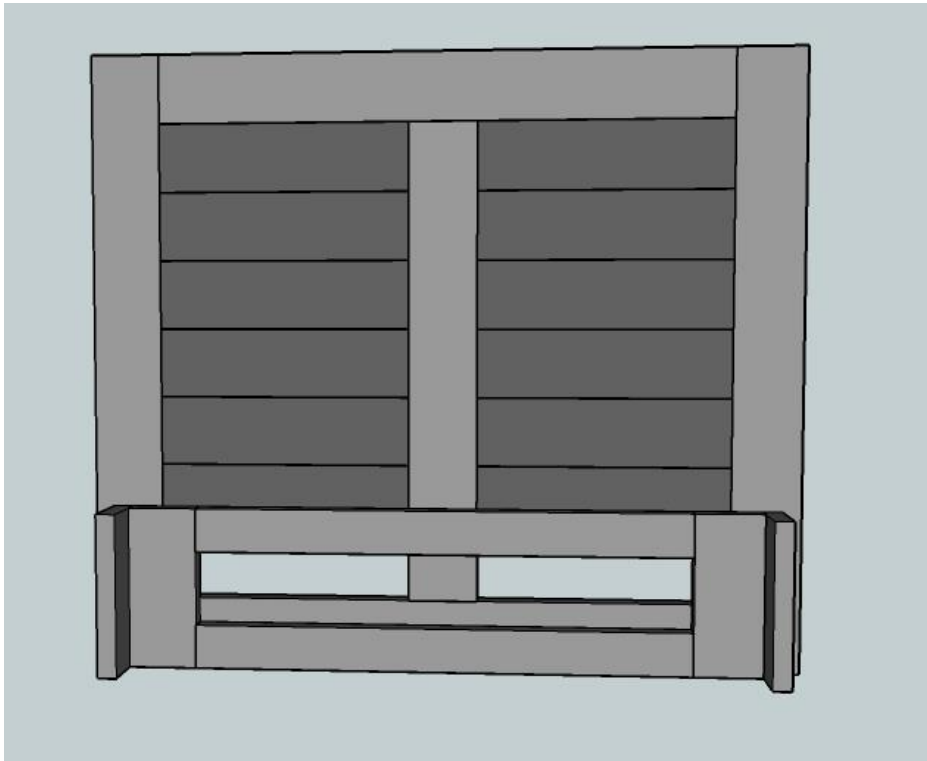
## Step 7 – Fit Headboard inserts

If you decided to do the headboard inserts a different color then fit those into the headboard now.

## Step 8 – Fit headboard to headboard support

Join the headboard support to the headboard making sure the bottom edges are flush and an equal gap on each side.

I used 2.5 inch wood screws and fixed through the back of the headboard into the headboard support



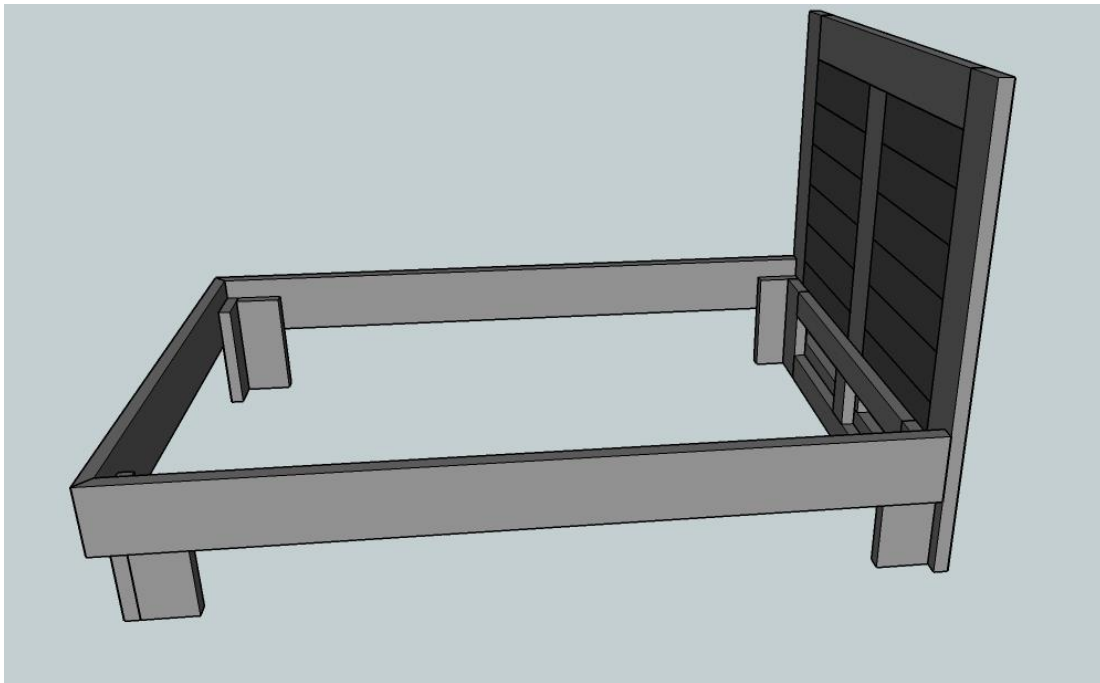
# andrew harris woodwork

## Step 9 – Fit the side rails to footer and headboard

This bed is heavy and so once you have it in the room it is going fit the side rails to the footboard and headboard.

I used 2.5 inch wood screws to fix through the inside of the foot into the rail and I also used pocket hole screws on the headboard end towards the top of the rail.

I didn't use glue as thought maybe I might need to take it apart one day to move it elsewhere.

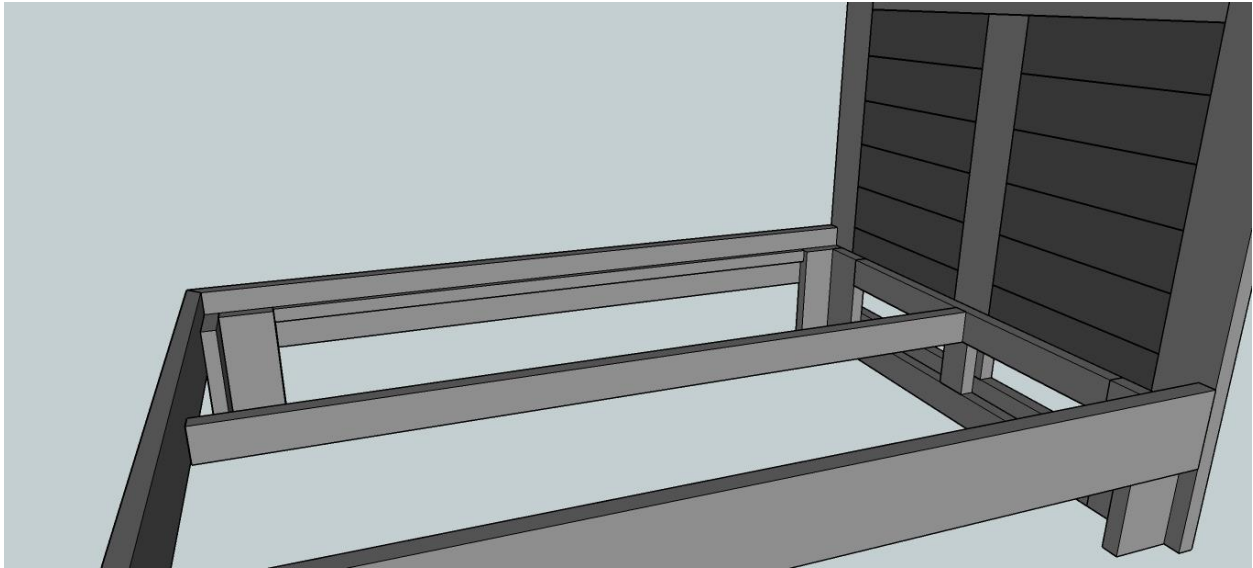


# andrew harris woodwork

## Step 10 – Add slat supports and center support

Add the slat 67 inch 1 by 2 inch supports to the inside of the outer rail making sure the top is flush with the top of the leg. I used 1.25 inch wood screws.

Add the center support as well using 2.5 inch pocket hole screws on the sides.



## Step 11 – Add the slats

Add the slats. I found 11 slats gave more than adequate support and fixed in place at the edges with 1.25 inch wood screws.

