

andrew harris woodwork

Workbench



andrew harris woodwork

Introduction

I have tried to ensure all steps are covered in these plans but if you find any errors in the plans or have a question then please email me at info@andrewharriswoodwork.com to let me know.

All my builds are made with pocket hole joinery. You will need a pocket hole jig tool such as a Kreg Pocket Hole Jig in order to build them.

Shopping List

Size	Length	Quantity	Board Number
1 by 2	8 feet	6	1 to 6
1 by 3	8 feet	1	7
1 by 4	8 feet	9	8 to 14
1 by 6	8 feet	4	15 to 18
1 by 8	6 feet	4	19 to 22
1 by 10	6 Feet	1	23
Drawer slides	14 inch		
¾ inch plywood	8 feet by 4 feet – 2 sheets		
¼ inch plywood	27 inches by 16.5 inches – Quantity 2 27 inched by 11.5 inches – Quantity 1		

You will also need:

- Pocket Hole Tool such as a Kreg Pocket Hole Jig
- 1.25 inch pocket screws
- 1.25 inch wood screws
- ¾ inch finishing nails
- Wood glue
- Drawer pulls
- Drawer slides
- Rolling Wheels (I uses 3.5 inch ones)

Estimated Material Cost: \$410

andrew harris woodwork

Cut list

Please read all instructions before cutting wood as shown below. I suggest some pieces are cut as you go to ensure a tight fit.

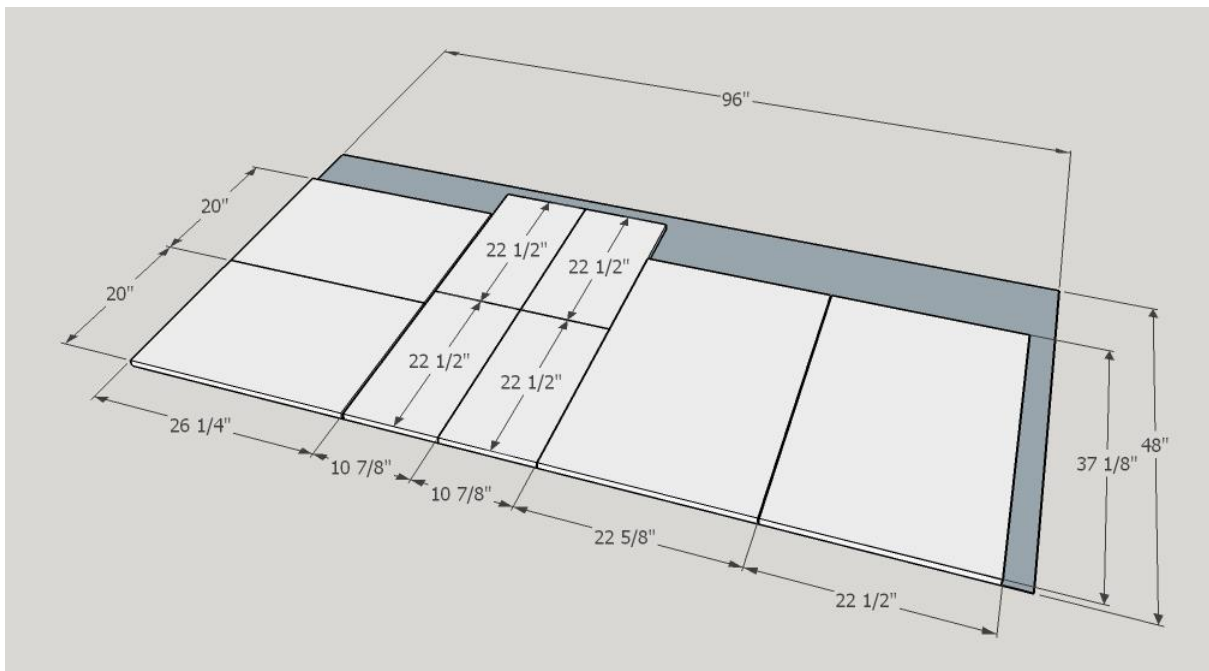
Size	Length (inches)	Quantity	Used For	Board Number
1 by 2	27	14	Drawer slide supports	1 to 4 and two from 5
1 by 2	33 ¼	2	Front vertical rails	5
1 by 2	27	2	Wheel support rails	6
1 by 3	27	2	Wheel support rails	7
1 by 4	57	2	Front top and bottom rails	One from 8 and one from 9.
1 by 4	26 ¼	1	Front vertical support	8
1 by 4	33 ¼	4	Side vertical rails	One from 9, two from 10 and one from 11
1 by 4	20	4	Side horizontal rails	Three from 11 and one from 12
1 by 4	27	3	Top supports	Two from 12 and one from 13
1 by 4	24	4	Small drawer side rails	One from 13, two from 14 and one from 15
1 by 4	10	4	Small drawer front and back rails	One from 8, two from 10 and one from 12
1 by 4	33 ¼	2	Back vertical sides	One from 13 and one from 14
1 by 4	53	2	Back top and bottom rails	One from 15 and one from 16
1 by 6	24	4	Small drawer side rails	24
1 by 6	10	4	Small drawer front and back rails	Two from 15 and two from 16
1 by 6	24	2	Large drawer side rails	16
1 by 6	38 1/2	2	Large drawer front and back rails	17
1 by 6	26 ¼	2	Back vertical supports	18
1 by 6	12 ¼		Bottom two small drawer fronts	18
1 by 8	24	4	Large drawer side rails	Three from 19 and one from 20

andrew harris woodwork

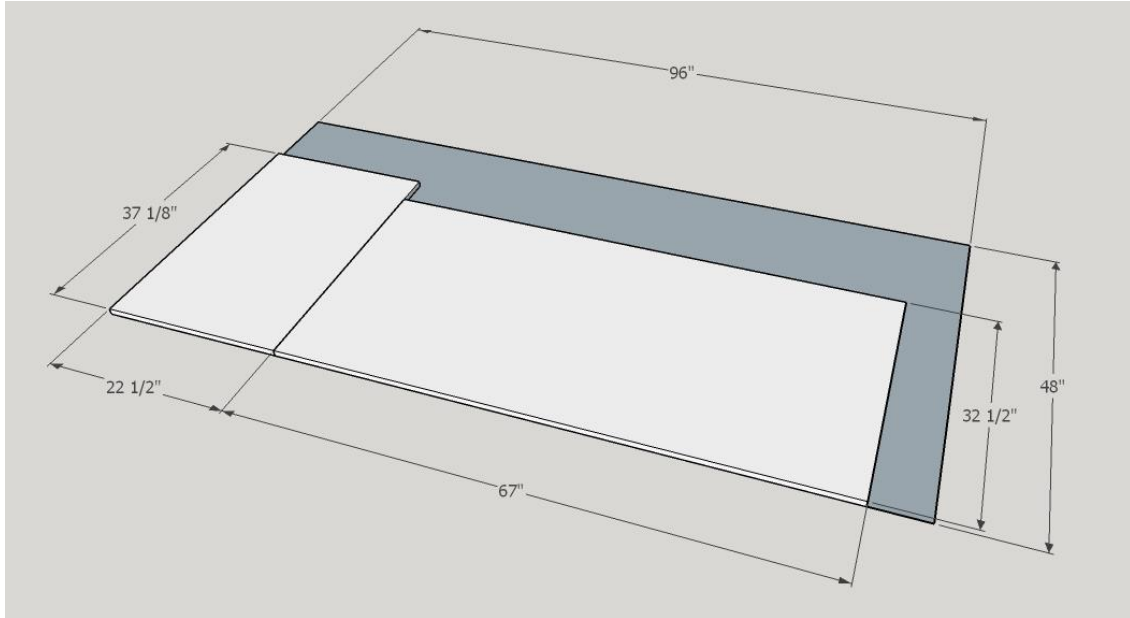
Size	Length (inches)	Quantity	Used For	Board Number
1 by 8	38 1/2	4	Large drawer front and back rails	One from 20, one from 21 and two from 22
1 by 8	12 1/4	2	Bottom two small drawer fronts	One from 19 and one from 20
1 by 8	39 3/4	1	Large drawer front	21
1 by 10	39 3/4	2	Large drawer fronts	23
3/4 inch plywood			See cut list diagram	
1/4 inch plywood			See step 14 for dimensions but cut to fit once ready.	

Plywood cuts from an 8 feet by 4 feet sheet

I would suggest making the drawers first and then measuring and cutting the plywood exactly to the size required based on your drawers.



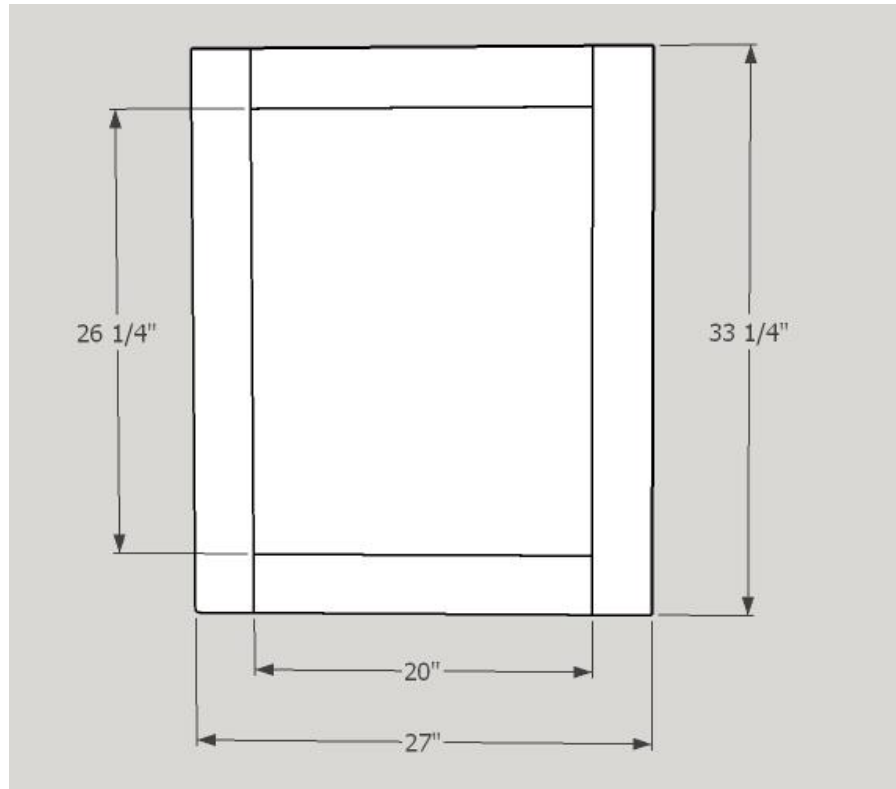
andrew harris woodwork



andrew harris woodwork

Step 1 – Make the two Side frames

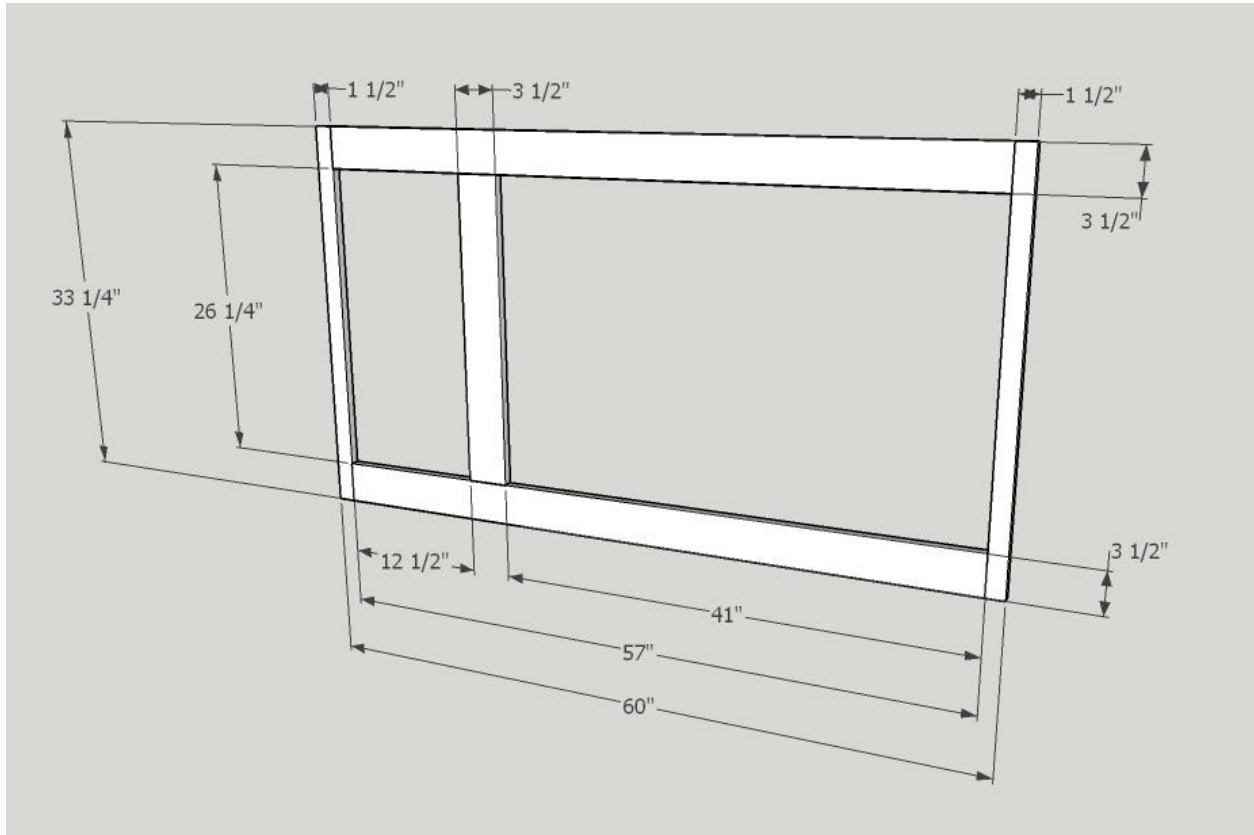
Make the side frames from the 1 by 4 and plywood panel shown below.



andrew harris woodwork

Step 2 – Make the front frame

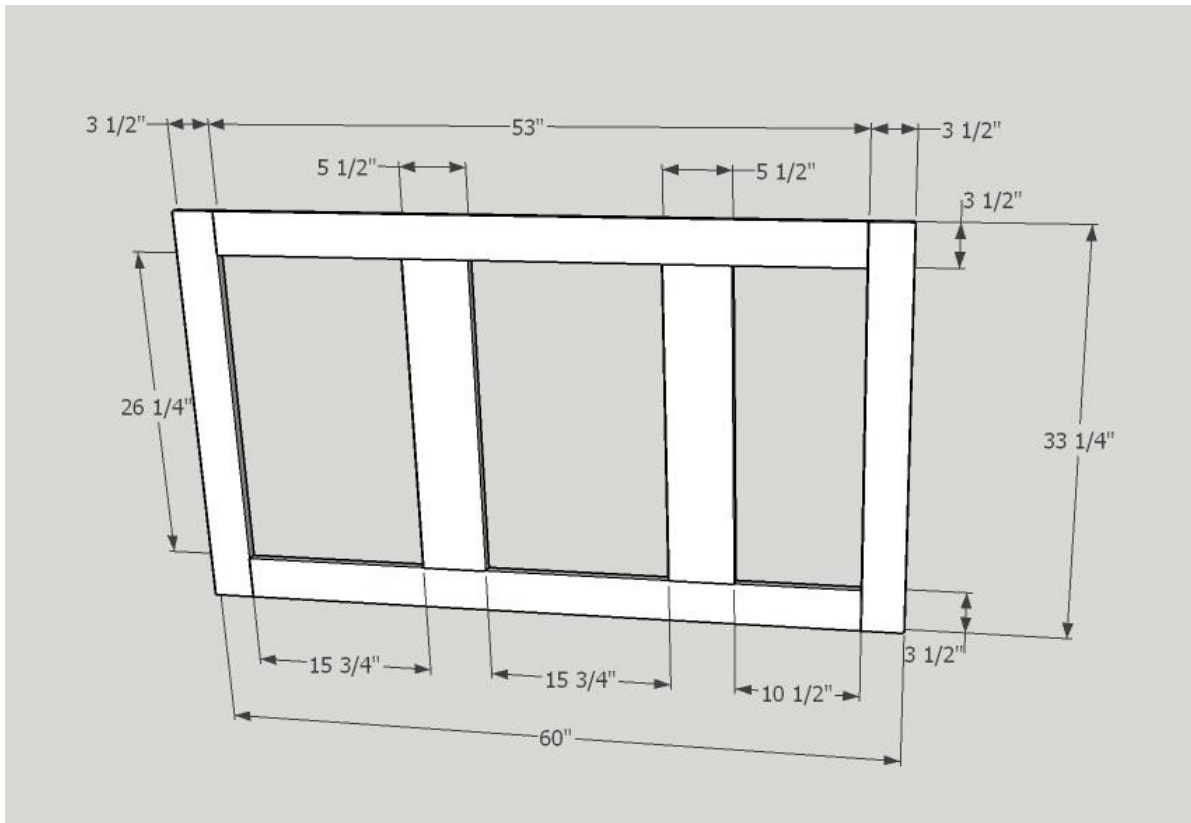
Make the front frame from the two $33 \frac{1}{4}$ inch pieces of 1 by 2, two 57 inch pieces of 1 by 4 and the $26 \frac{1}{4}$ inch piece of 1 by 4.



andrew harris woodwork

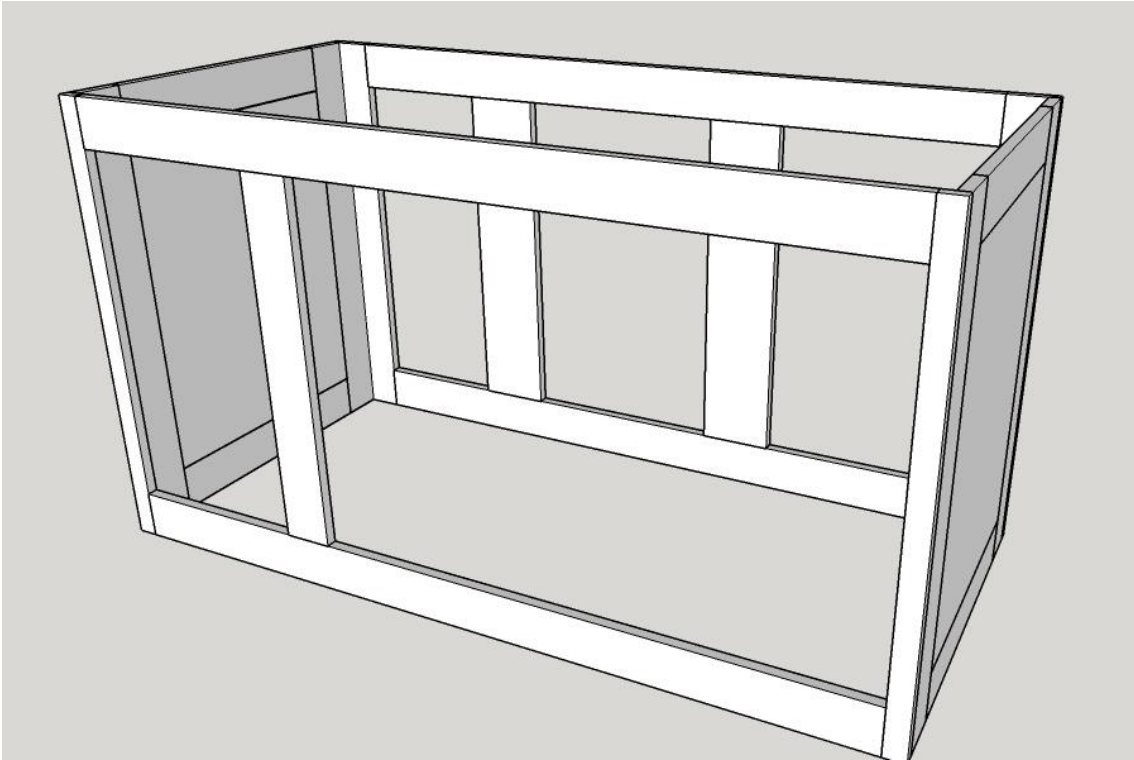
Step 3 – Make the back frame

Make the front frame from the two 33 ¼ inch pieces of 1 by 4, two 53 inch pieces of 1 by 4 and the two 26 ¼ inch pieces of 1 by 6.



andrew harris woodwork

Step 4 – Attach the sides and front and back

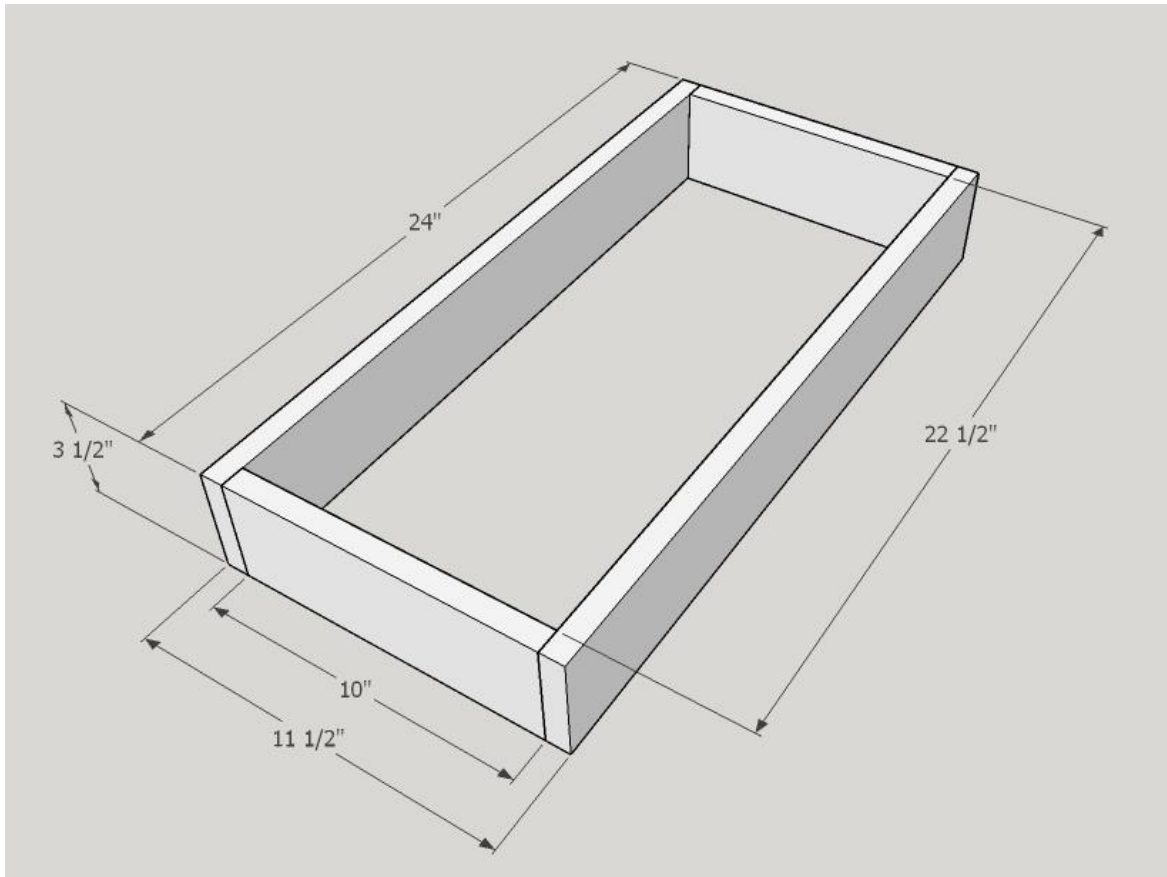


andrew harris woodwork

Step 5 – Make the two shallowest narrow drawers

Put pocket holes on the ends of the short pieces so they appear on the front and back of the drawer (the front ones will be hidden by the drawer front).

I added the $\frac{3}{4}$ inch plywood base flush with the bottom of the sides.

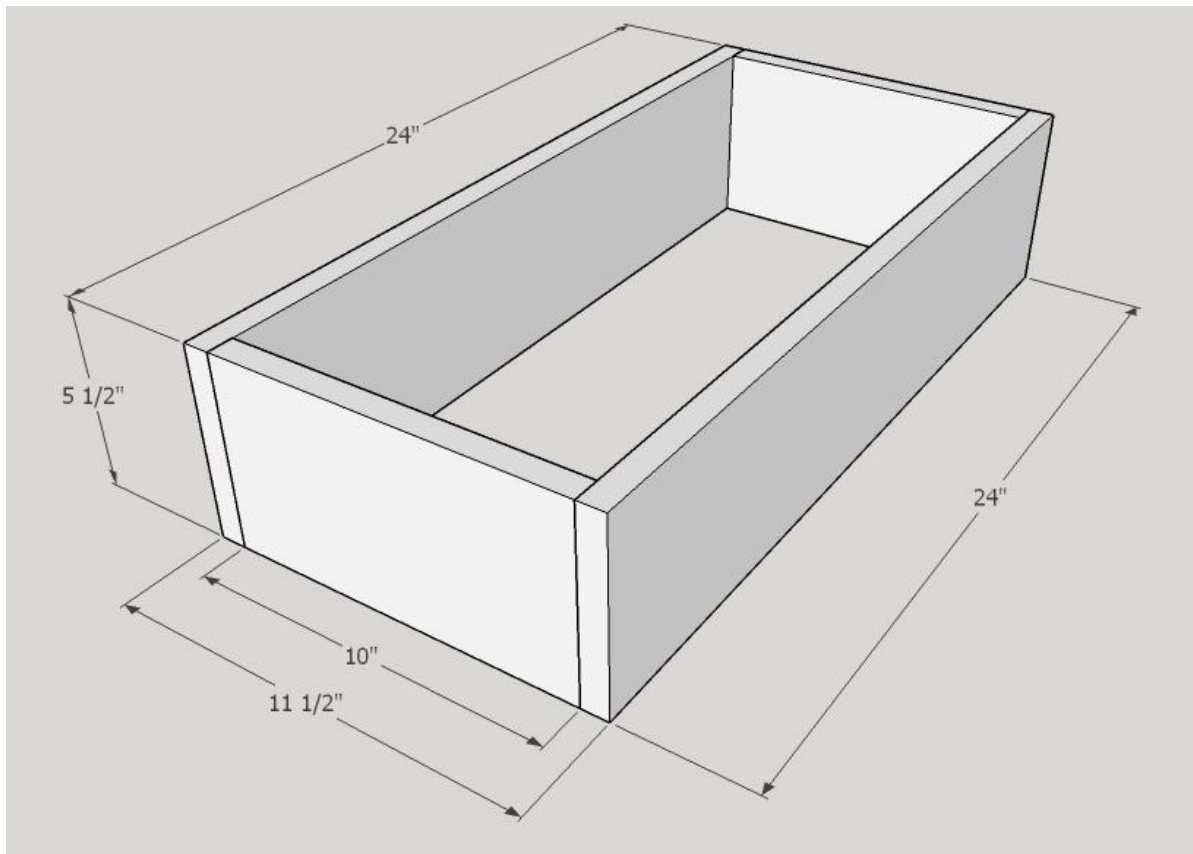


andrew harris woodwork

Step 6 – Make the two deeper narrow drawers

Put pocket holes on the ends of the short pieces so they appear on the front and back of the drawer (the front ones will be hidden by the drawer front).

I added the $\frac{3}{4}$ inch plywood base flush with the bottom of the sides.

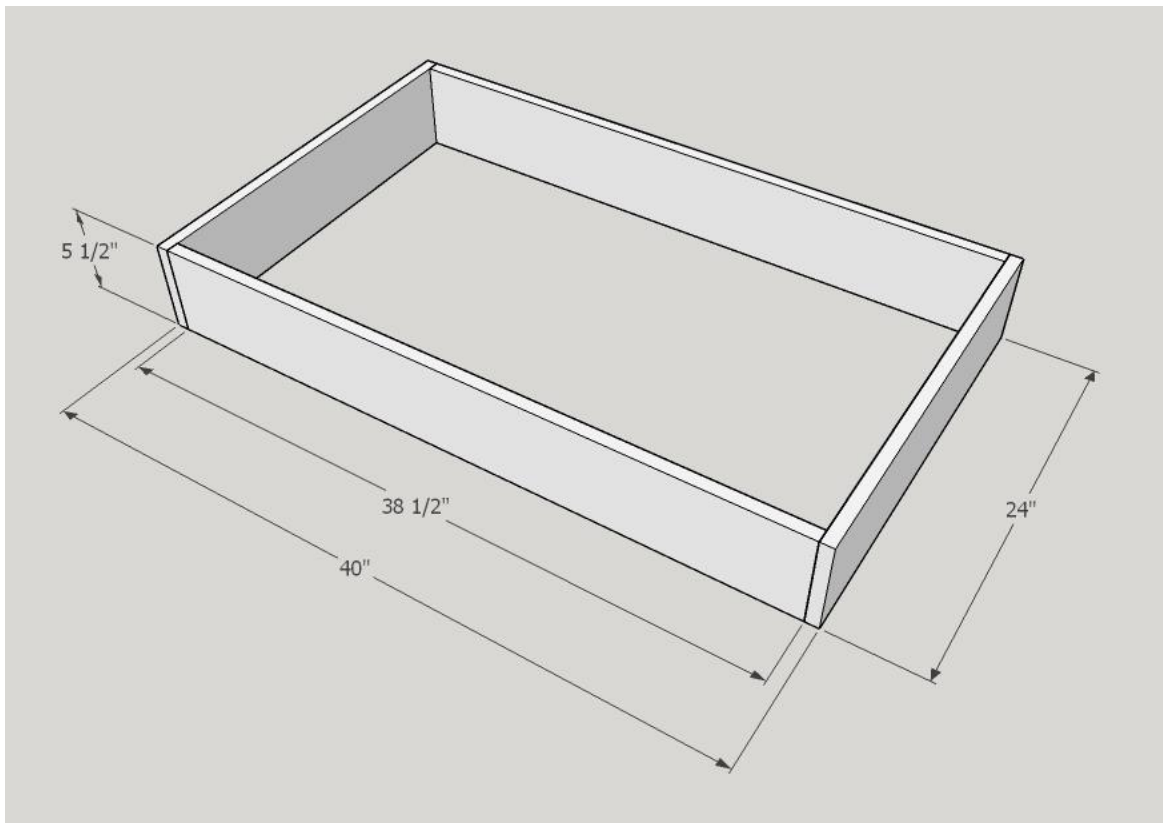


andrew harris woodwork

Step 7 – Make the shallowest wide drawers

Put pocket holes on the ends of the long pieces so they appear on the front and back of the drawer (the front ones will be hidden by the drawer front).

I added the $\frac{3}{4}$ inch plywood base flush with the bottom of the sides.

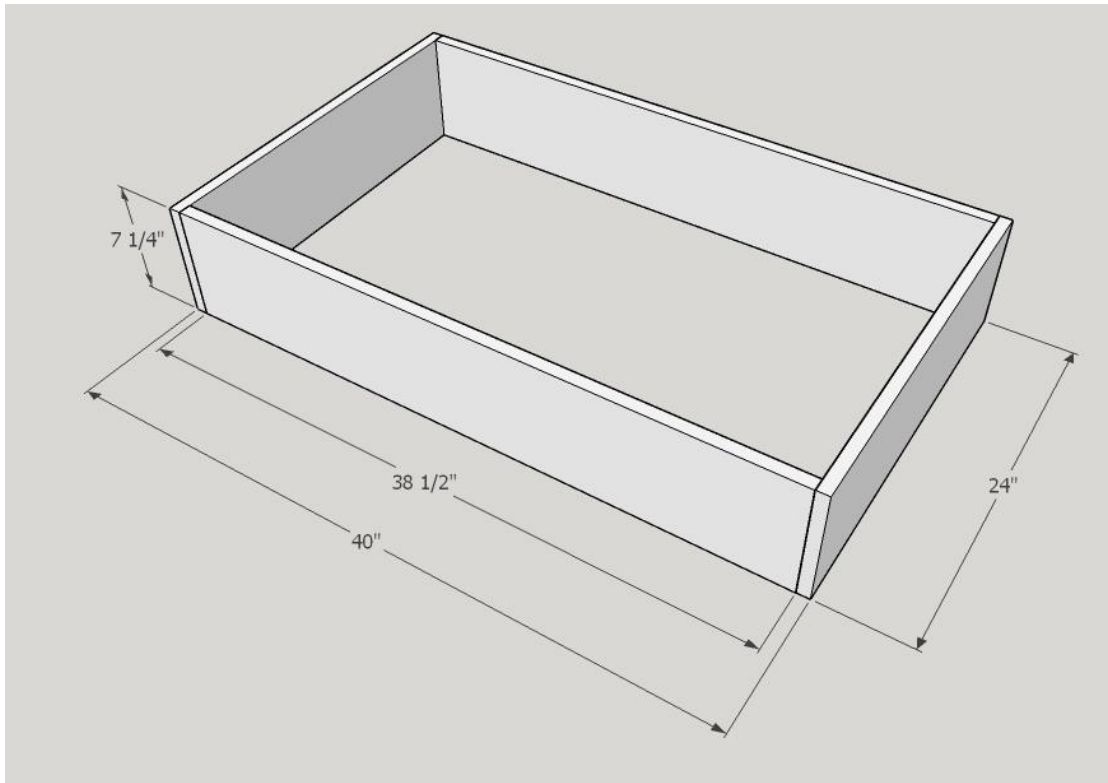


andrew harris woodwork

Step 8 – Make the deeper wide drawers

Put pocket holes on the ends of the long pieces so they appear on the front and back of the drawer (the front ones will be hidden by the drawer front).

I added the $\frac{3}{4}$ inch plywood base flush with the bottom of the sides.

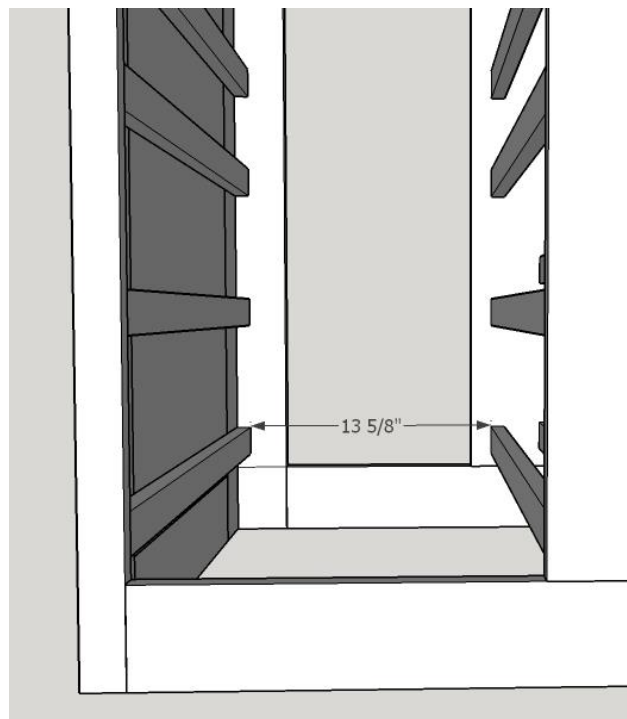
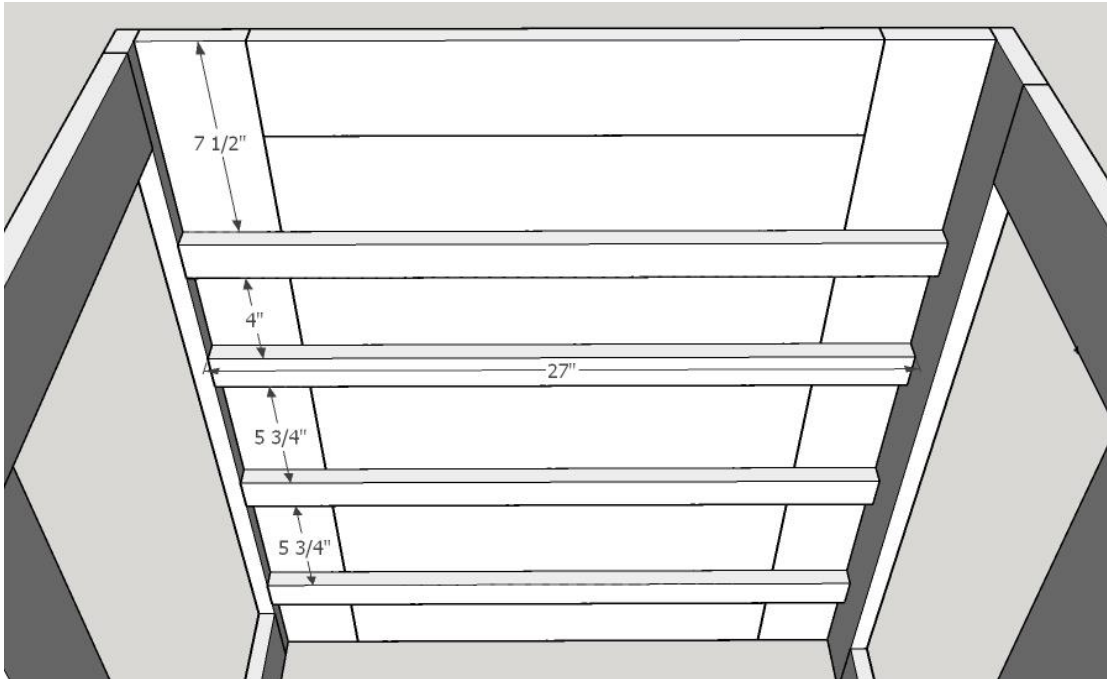


andrew harris woodwork

Step 9 – Add the drawer rail guides for the narrow drawers

Use eight of the 27 inch long pieces of 1 by 2.

Add four on each side. They should be 13 5/8 inches apart as shown in the second image.

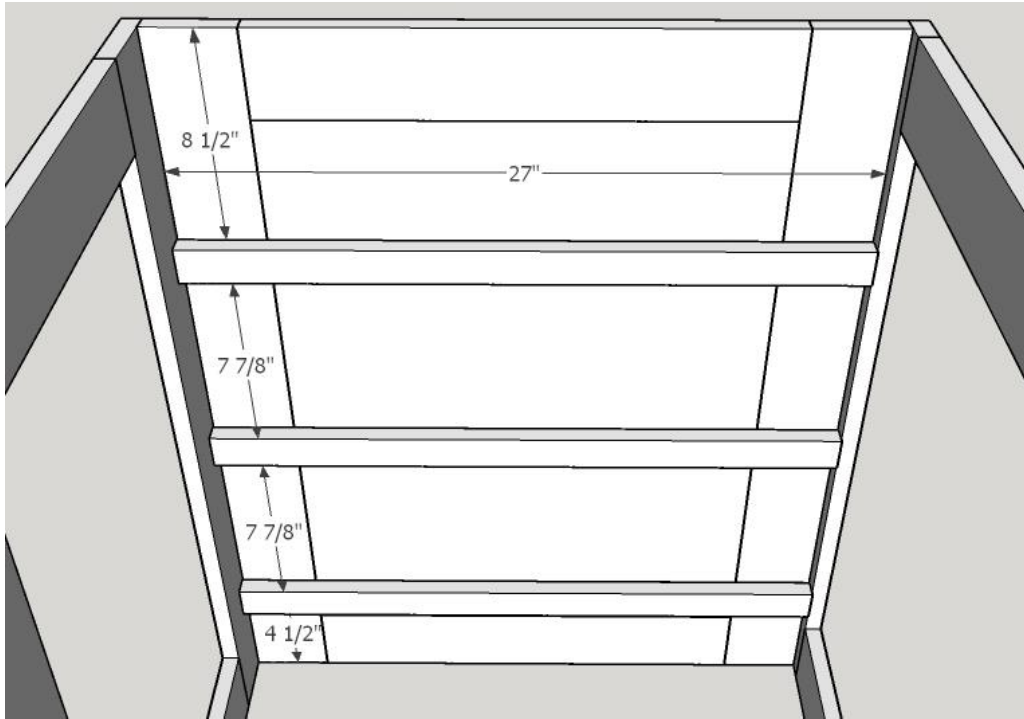


andrew harris woodwork

Step 10 – Add the drawer rail guides for the wide drawers

Use six of the 27 inch long pieces of 1 by 2.

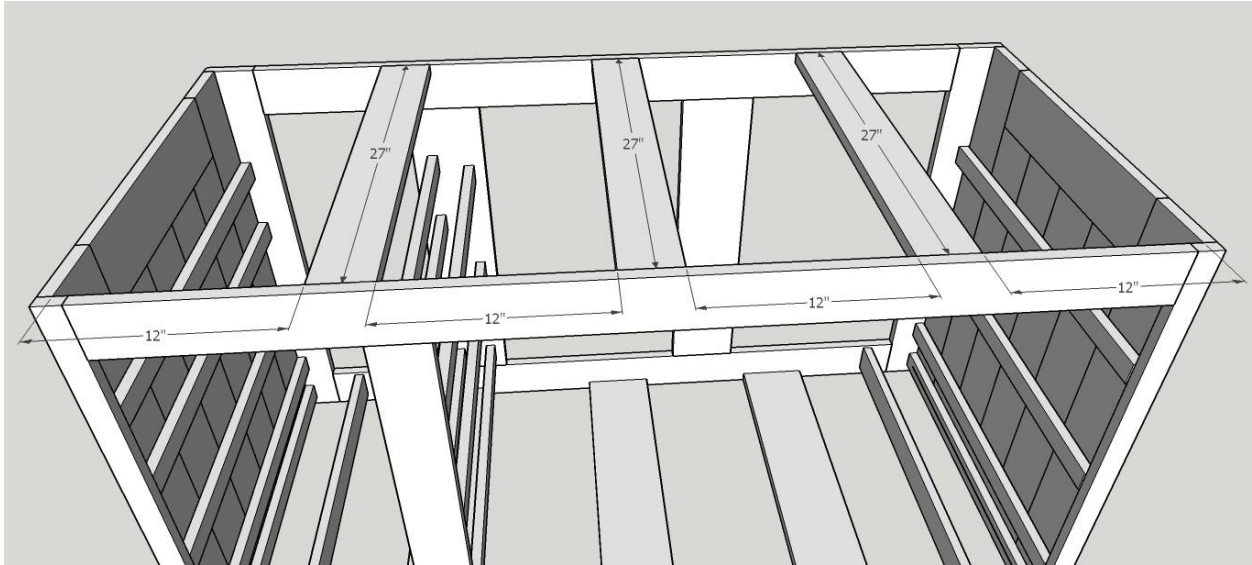
Add four on each side and they should be 39 ³/₄ inches apart.



andrew harris woodwork

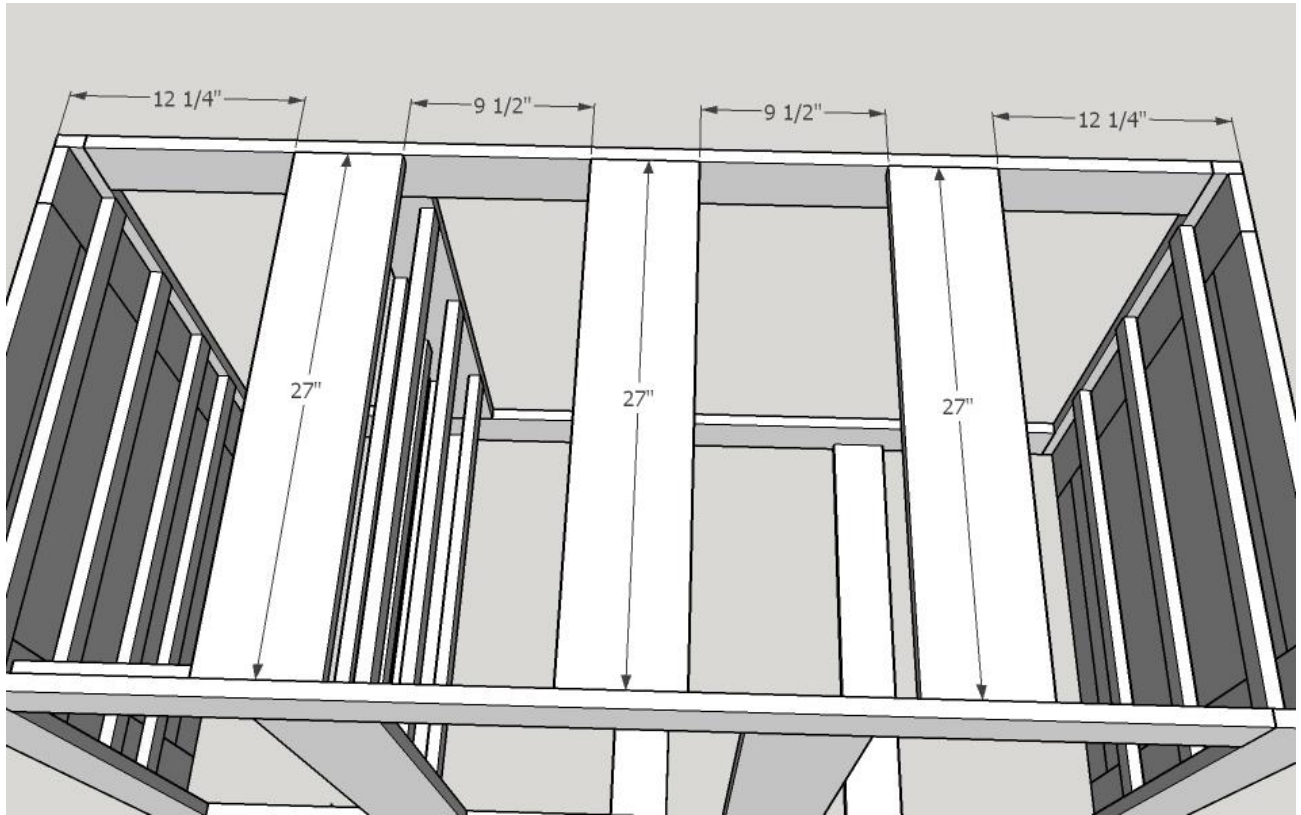
Step 11 – Add cross supports to top

I added some cross supports on the top just to give some strength in the frame

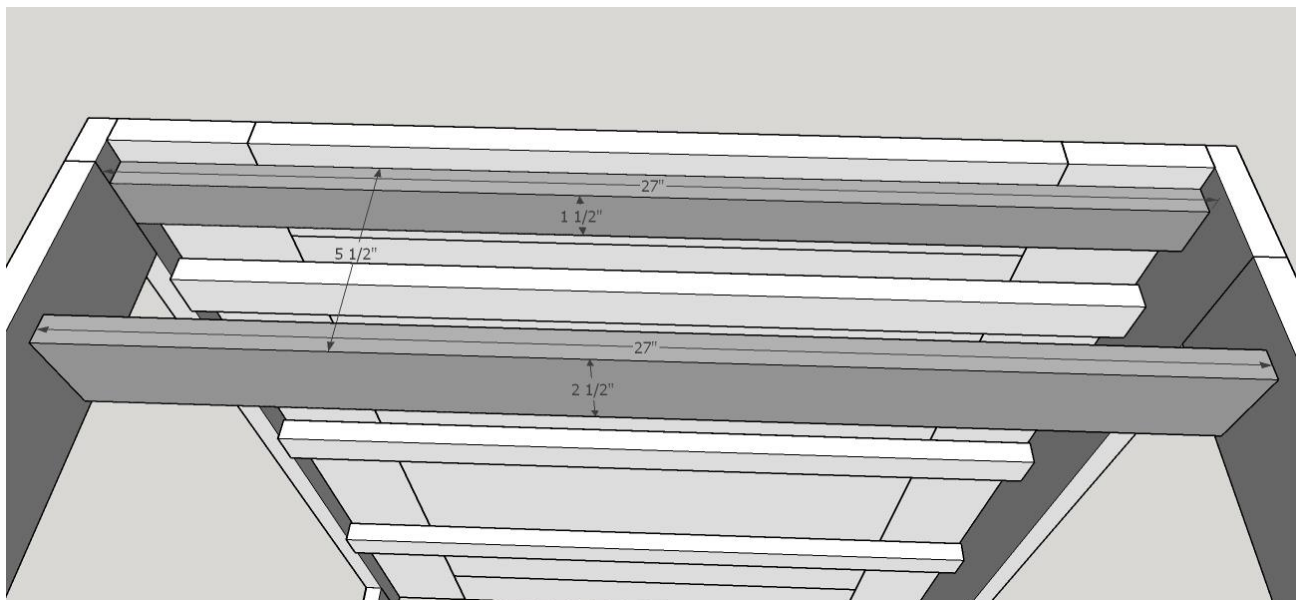


andrew harris woodwork

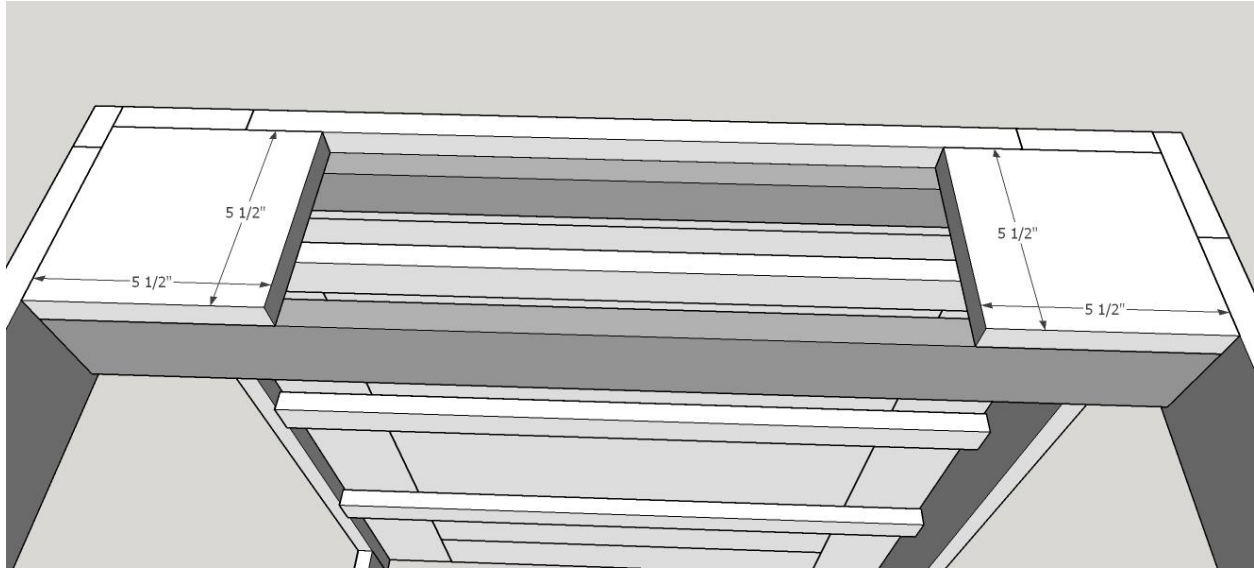
Step 12 – Add supports to bottom



Step 13 – Add supports for wheels



andrew harris woodwork



Step 14 – Fit the back panels

Add ¼ inch plywood as the back panels. Measure to fit but you should need three pieces measuring approximately the following dimensions

27 inches by 16.5 inches – Quantity 2

27 inches by 11.5 inches – Quantity 1

Step 15 – Fit the drawers and drawer fronts

The two pieces of 1 by 6 measuring 12 ¼ inches long are the top two drawer fronts.

The two pieces of 1 by 8 measuring 12 ¼ inches long are the top two drawer fronts.

The piece of 1 by 8 measuring 39 ¾ inches long is the top large drawer fronts.

The two pieces of 1 by 10 measuring 39 ¾ inches long are the bottom two large drawer fronts.

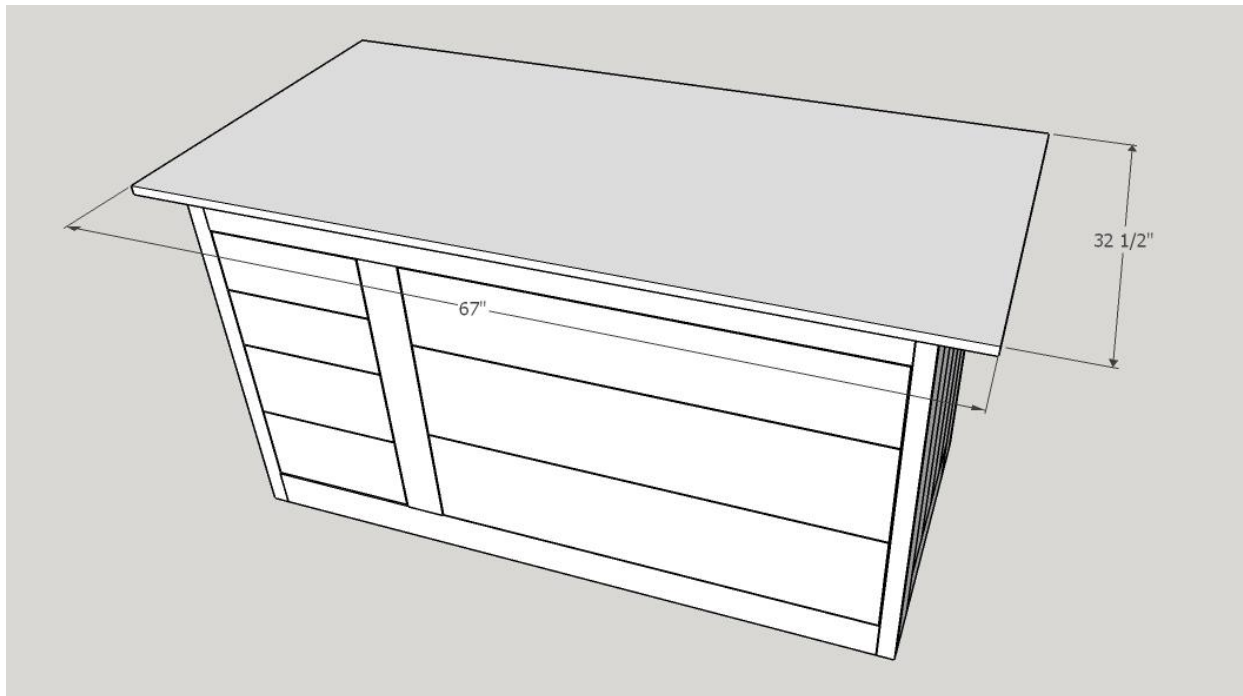
Fit the drawer fronts ensuring equal gap at top and outer edge for both.

Drill two holes through the inner drawer front and then fix the outer drawer front by screwing through the inner drawer front into the outer drawer front using 1 ¼ inch screws. (I actually used three screws on the large drawer fronts)

Tip clamp the drawer front in position when happy with the spacing and then screw it in place (you may also want to fit the hardware before fixing the drawer front).

andrew harris woodwork

Step 16 – Add the top



Step 17 – Fit the wheels

Whilst the cabinet is turned upside down to fit the top add the wheels by fixing them to the wheel supports added.

Step 18 – Finish

Sand well to smooth our joints and remove any wood glue residue.

Apply Pre stain and stain or paint as desired.

Step 19– Hardware

Add hardware of your choice.